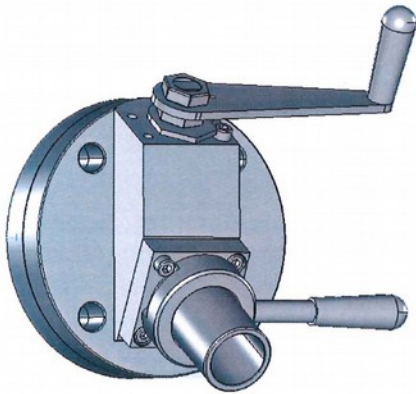




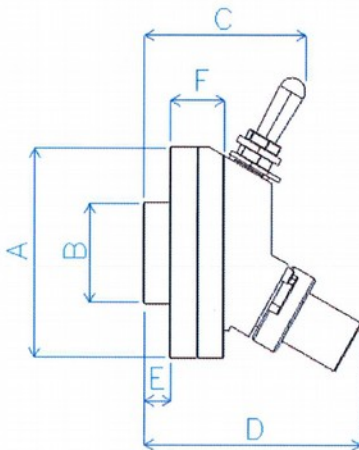
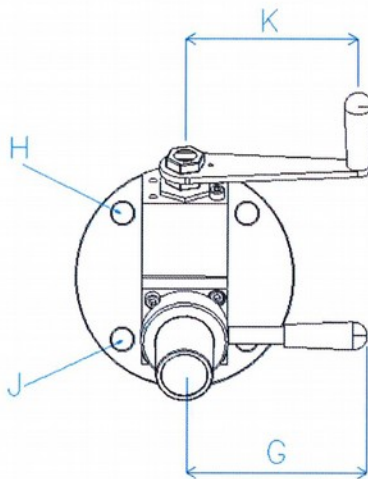
Low Contamination Safety Sampling valves



MODEL 1S2A

Mounting	1½" ANSI 150
Sample Cup Size	20 ml
Max Operating Temp	230°C
Max Operating Pressure	10 Bar
Seals	PTFE
Approx. Weight	5 kg

Dimensions and Specifications



Valve Specification

PART	Specification	PART	Specification
Body Halves	St. Steel 316	Ball Seals	Virgin PTFE
Ball	St. Steel 316	Stem Seals	Virgin PTFE
Stem	St. Steel 316	Stem Bearings	Virgin PTFE
Nozzle Plate	St. Steel 304	Body Seal	Virgin PTFE
Nozzle Ring	St. Steel 304	Nozzle Seal	TFE/P
Handles	St. Steel 304	Fasteners	St. Steel 304
		Identity Plate	St. Steel 304

Valve Dimensions

Letter	Valve Dimension	mm
A	Flange Dimension	127
B	Neck Diameter	60.6
C	Vessel to handle	85
D	Vessel to Nozzle	140
E	Neck Length	17
F	Mounting Flange Width	35
G	Nozzle Handle Width	110
H	Hole Diameter	12.7
J	Fixing Holes PCD	98.4
K	Handle Length	100